

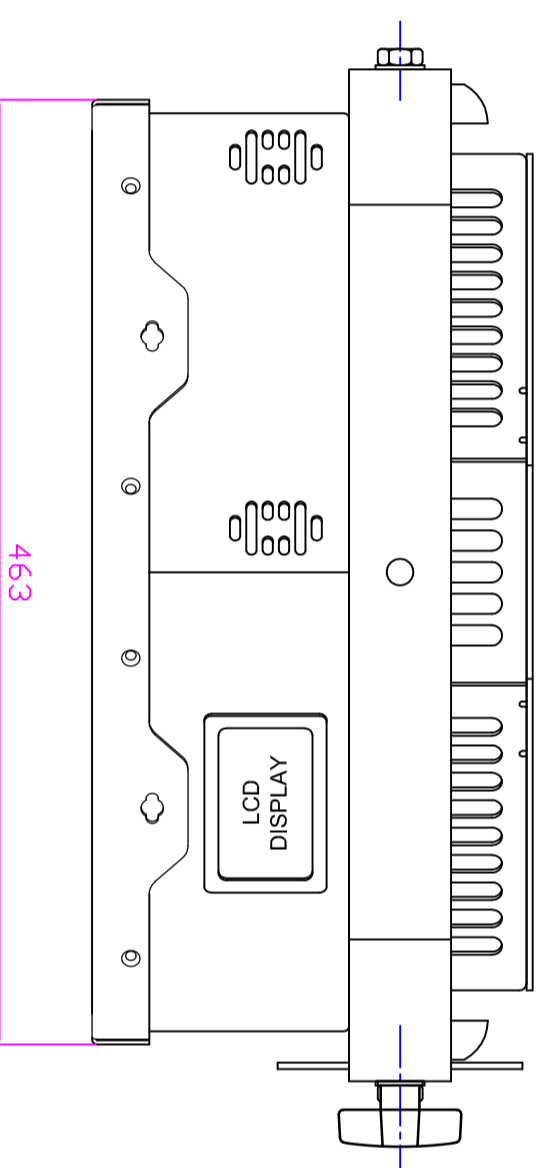
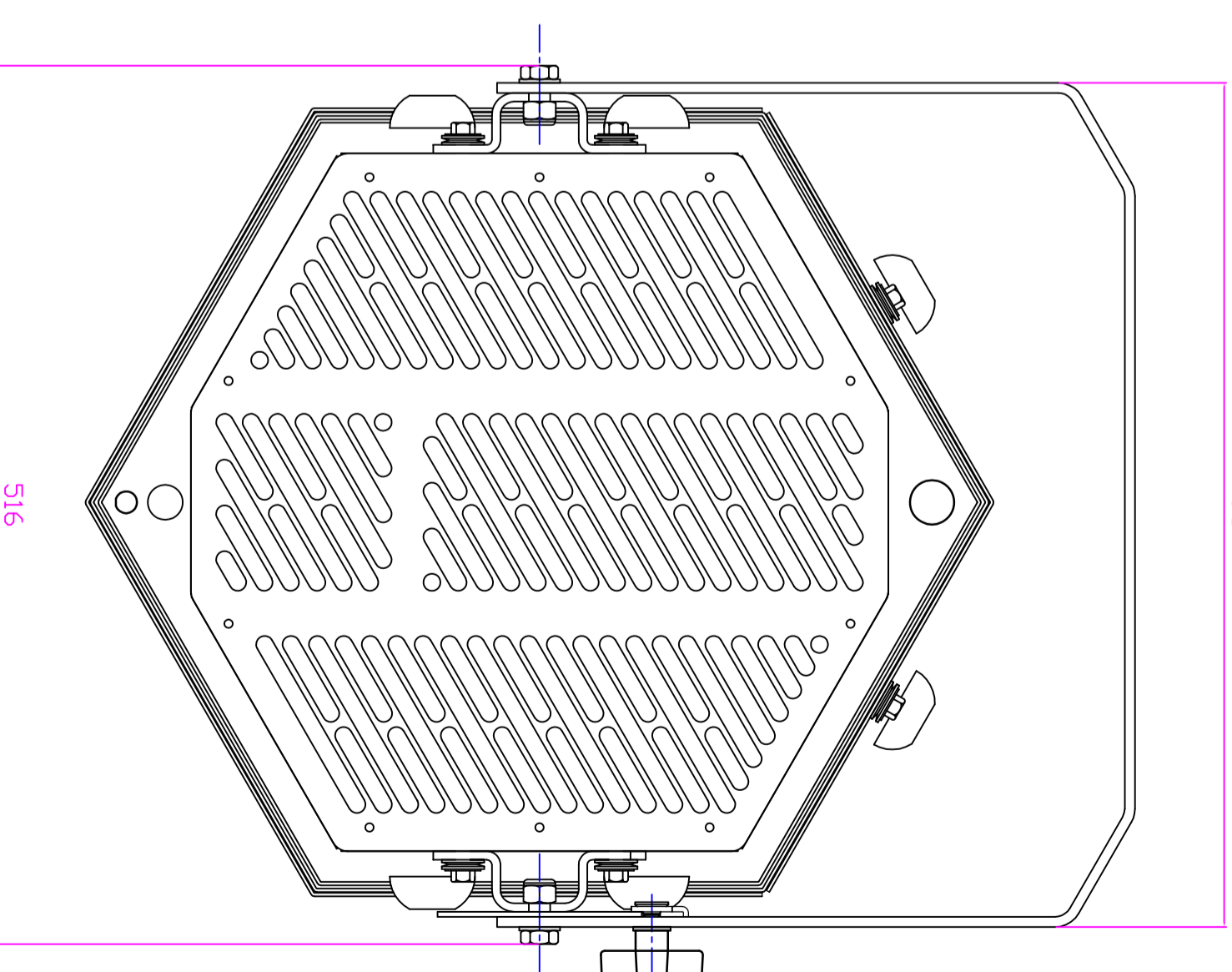
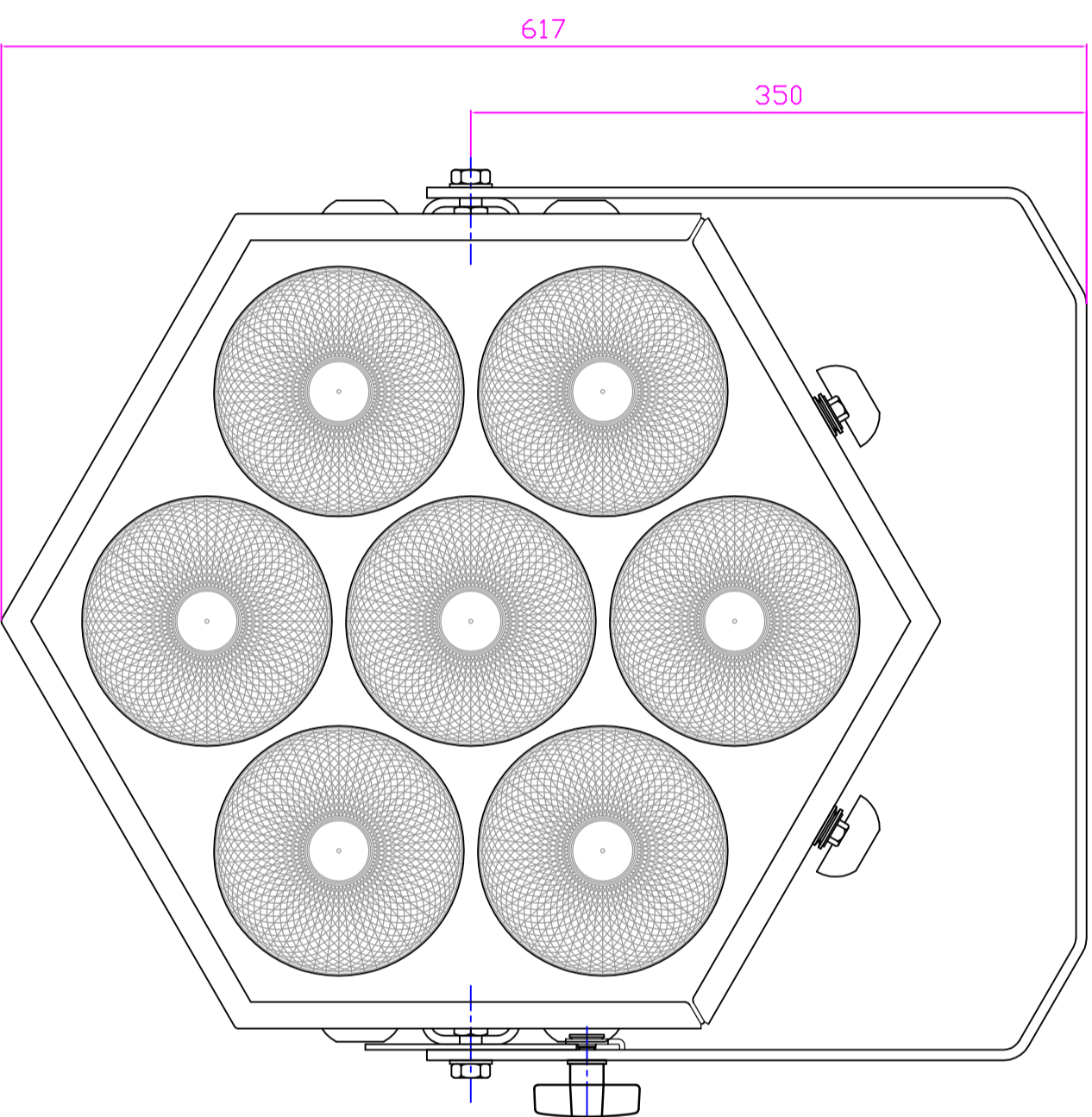
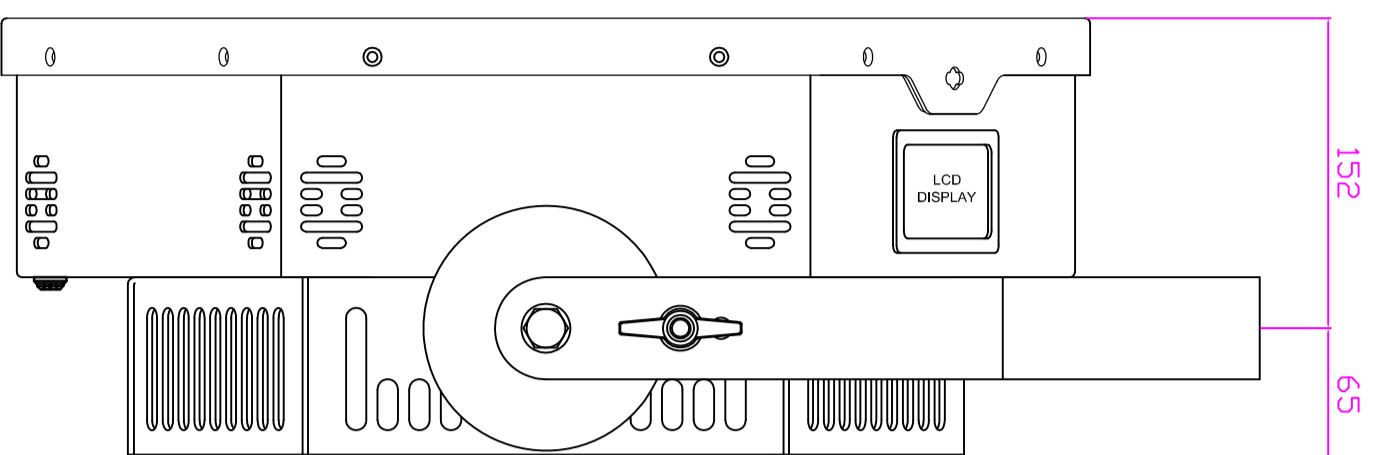
Remove all burrs | Surface to be a clean
and sharp edges | finish and crevice free
All dimensions in millimeters (mm)

Tolerances unless otherwise stated:
Up to 250
Over 250 up to 1000
Over 1000

+/- 0.10
+/- 0.25
+/- 0.75

IF IN DOUBT ASK

DO NOT SCALE FROM PRINTS



Revisions date - name - description:

Unit 376 3rd Floor
Broadstone Knowledge Mill
Broadstone Mill
Houldsworth Village
Cheshire
SK5 7DL

I-Pix

Drawn by - date R. Wray - 08/08/08	Chk./App. by - date	Drawing number:
Customer: I-Pix		Title: CUSTOMER DRAWING
Project: BB7 LIGHT		
Drawing type: First angle projection		
Scale: 1:1	Sheet: 1 of 1	Issue: 4
File: BB7 - MK2 - CUSTOMER DRAWING.dwg		