

## BB 1 narrow beam

The BB1 is an original fixture design from lighting people for lighting people with an environmental conscience.

The BB 1 is a powerful weatherproof (submersible) low voltage (15 volt) led fixture with a new generation of combined RGB high power leds with homogenized output. Powerful daylight white warm white and tunable white add to the BB1s versatility. Designed for a life on tour and packed full of control versatility and rigging/ de-rigging simplicity. This fixture can be used outdoors as well as indoor in fixed installations or traveling around the world.



### KEY FEATURES

Energy efficient additive colour mixing and static colour device  
customised RGB LED engine

Powerful Daylight, Warm and Tunable White LED engines

Efficient heat dissipation of both led heat and control section

Self contained device

Can be submerged and comes with a single cable fitted with a high quality 5-pin weatherproof connection

Can be remotely addressed and configured with industry standard RDM (remote device management) DMX or run as a slave on standard USITT DMX.

Built in functions for dmx use and stand alone use

A variety of different operating modes are provided for differing applications

Super fast strobe from constant on to a slow pulse, colour oscillations are possible

10° optic as standard

Stand alone function provides memory storage

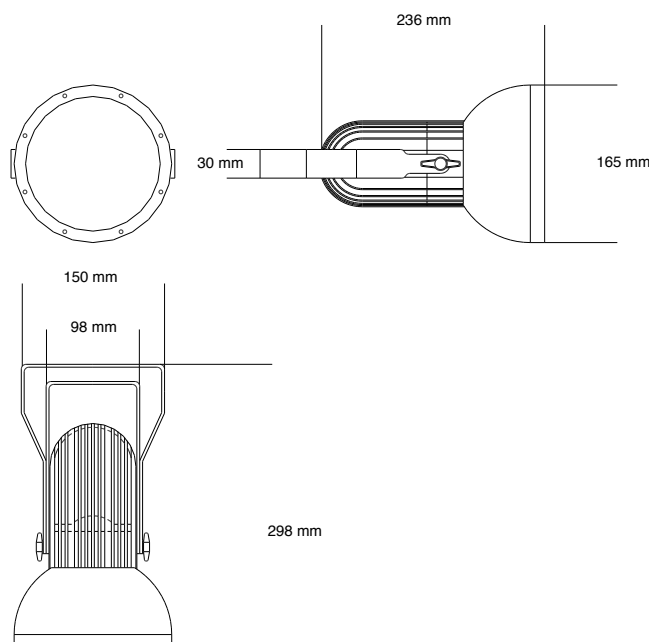
Outputs dmx to other fixtures within the same dmx range

safety points provided as standard

Flightcase packages available along with accessories

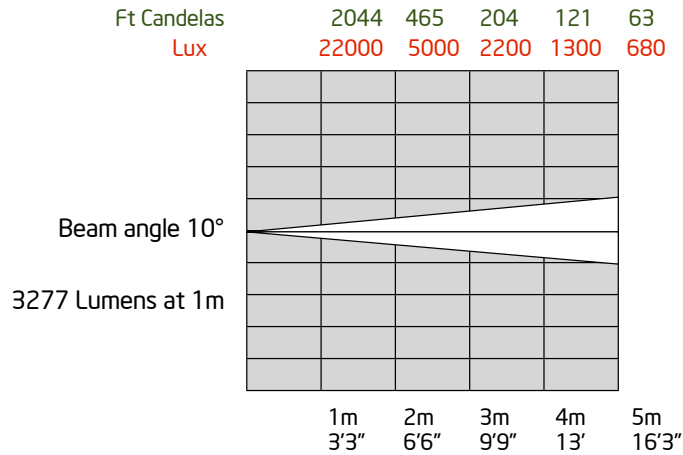
Digital Drive technology is over 90% efficient and delivers even smoother control of the light engines

True 16 bit control expands the colour range from millions to billions.

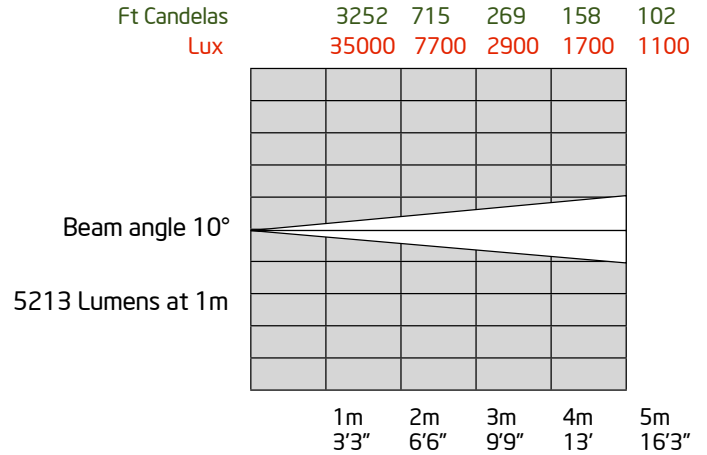


<b>Dimensions:</b>	<b>with yoke</b>	<b>without yoke</b>
▪ Length	298 mm	236 mm
▪ Width	165 mm	165 mm
▪ Weight	2.5Kg	1.8Kg
<b>Mechanical design &amp; materials:</b>		
▪ Body	one piece cast alloy	
▪ Front	plastic polycarbonate front cover with stainless steel retaining ring and dual rubber seals for underwater capability	
▪ Yoke	folded stainless steel	
▪ Finish	electro static powder coated black satin as standard with white and grey also available	
<b>Rigging:</b>		
▪ Style	2 ¼ turn camloc fasteners	
▪ Number of positions	1 rigging location on yoke	
▪ Conventional mounts	10mm bolt holes on inner yoke, 12mm bolt holes on outer yoke	
	Note: unit comes with Omega rigging bracket to accept 12mm bolts,	
<b>Electrical:</b>		
▪ Input	15 volt DC	
▪ Current	3.9 amps on full	
▪ Power	25 watts total power on full	
▪ Input	trailing male IP67 5 pin ( Combined power and data connection )	
	compatible with power distribution box	
<b>Control:</b>		
	RGB additive colour mixing	
▪ DMX channels	3 channels minimum 9 channels maximum	
▪ User interface	backlit lcd display with four membrane switches on power box or power bar	
	Any RDM DMX desk or control device	
▪ Data type	USITT DMX512-A & RDM DMX	
<b>Output:</b>		
▪ Source	customised RGB, warm white, daylight white and tunable LED light engines	
▪ Optics	20°optic with 35° & 45° also available	
<b>Thermal characteristics:</b>		
	Customized passive heat dissipation of led core temperature designed for high ambient conditions	
▪ Operating temperature	Minimum: -20 degrees C, Maximum:+ 46 degrees C	
<b>Weather protection:</b>		
▪ Humidity max	Rated to IP68 submersable	
<b>Approvals &amp; Compliance:</b>		
	BS EN 55103-1	Harmonics
	BS EN 55103-2	Immunity
	BS EN 61000-3-2	Emissions
	USA / Canada	ETL pending

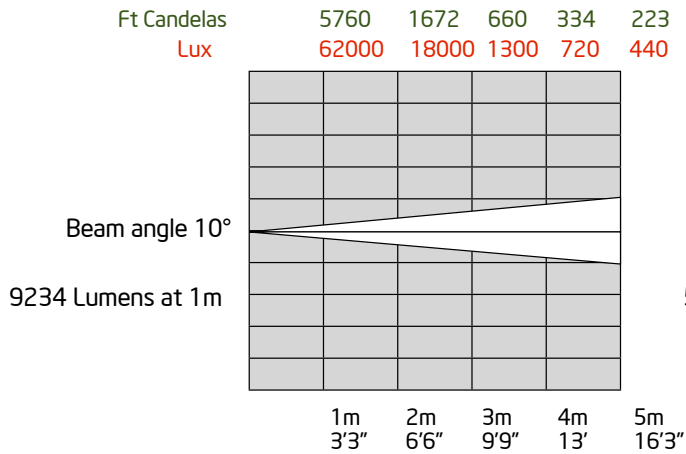
PHOTOMETRICS for 1 x BB1 narrow  
with the RGB LIGHT ENGINE



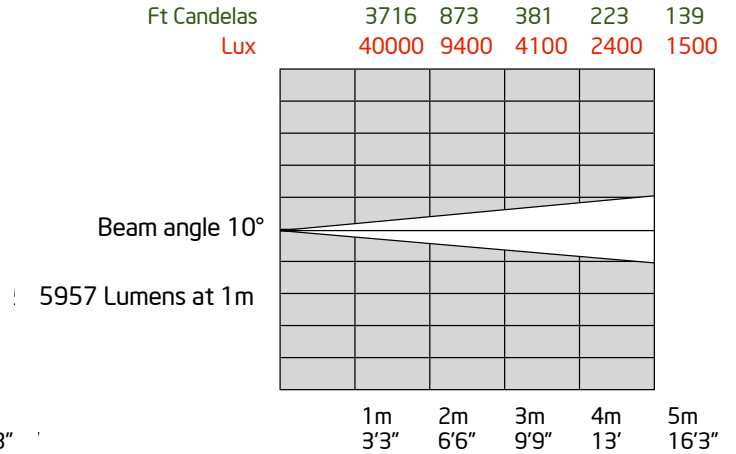
PHOTOMETRICS for 1 x BB1 narrow  
with the RGB+40% LIGHT ENGINE



PHOTOMETRICS for 1 x BB1 narrow  
with the DAYLIGHT WHITE 6500°K



PHOTOMETRICS for 1 x BB1 narrow  
with the WARM WHITE 3600°K



## ORDERING THE BB1

When ordering the BB1 please specify the following options

1	2	3	4
BB1 PRODUCT CODE	FINISH	L.E.D.s	OPTICS
<b>P501</b>	<b>BL</b>	<b>RGB</b>	<b>20</b>

code / 2 FINISH

**BL** Black satin powder coated

**WH** White powder coated

**GR** Grey powder coated

**RAL** RAL Colour (with number)

code / 3 L.E.D.s

**RGB** RGB

**RGB+** RGB + 40

**DW** Daylight White  
(6500°K)

**WW** Warm White  
(3600°K)

**TW** Tunable White  
(3600°K - 6500°K)

code / 4 OPTICS

**20** 20°

**35** 35°

**45** 45°

## ACCESSORIES FOR THE BB1

Order Code:	Accessory:	Description:
p380	Power Box end entry	Rigable box power supply & interface for 4 BB1s with 5 pin combined power & data connections
p332	side entry	Rigable box power supply & interface for 4 BB1s with 5 pin combined power & data connections
p401	4 Way Power Bar	Rigable linear power supply & interface for 4 BB1s with 5 pin combined power & data connections
p481	hardwired	Rigable linear power supply & interface for 4 BB1s hardwired to the bar
p402	6 Way Power Bar	Rigable linear power supply & interface for 6 BB1s with 5 pin combined power & data connections
p484	hardwired	Rigable linear power supply & interface for 6 BB1s hardwired to the bar
p384	3 way T- frame	Rigging frame for 3 BB1s and a power box
p385	4 Way linear frame	Rigging frame for 4 BB1s and a power box
p386	2 x 2 frame	Rigging frame for 4 BB1s and a power box
p381	5pin Extension cable 1m	1m combined low voltage power & data cable between power box and BB1
p382	5pin Extension cable 3m	3m combined low voltage power & data cable between power box and BB1
p383	5pin Extension cable 5m	5m combined low voltage power & data cable between power box and BB1
p389	5pin Extension cable 10m	10m combined low voltage power & data cable between power box and BB1

For further information, cad files, tech specs, case studies  
and technical support contacts please refer to our website  
[www.i-pix.com](http://www.i-pix.com)